

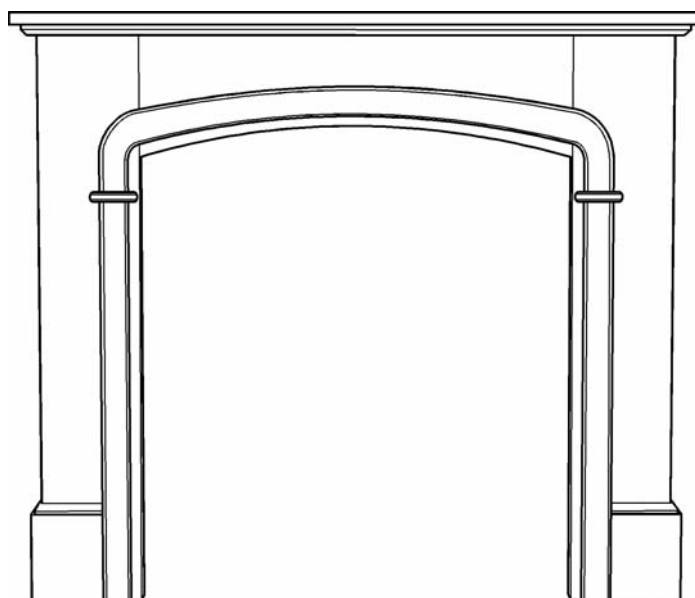
# VALOR FIRES

## INSTALLATION GUIDE

# Calista

## Surround

The surround is supplied fitted with infill strips (gas rails), with these fitted the surround is designed for a back panel that has a maximum depth of 25mm. With the infill strips removed the rebate at the back of the surround is 75mm.



**This guide should be read in conjunction with the installer and owner guide supplied with the fire / heater.**

This guide is intended to help you install your surround. Please read carefully before installing. However, if further information is required, our

**Valor Fires Technical Helpline** will be pleased to help.

Telephone **0844 8711 565** (National call rates apply in the United Kingdom)

In the Republic of Ireland call **0044 844 8711 565**.

# BAXI ● VALOR ● WONDERFIRE

**Important: Please keep your guide in a safe place for future reference.**

# INSTALLATION GUIDE

© Baxi Heating U.K. Limited 2011.

All rights reserved. No part of this publication may be reproduced in any material form (including photocopying), stored in any medium by electronic means (including in any retrieval system or database) or transmitted, in any form or by any means, whether electronic, mechanical, recording or otherwise, without the prior written permission of the copyright owner.

Applications for the copyright owner's permission to reproduce any part of this publication should be made, giving details of the proposed use, to the following address: The Company Secretary, Brooks House, Coventry Road, Warwick, CV34 4LL.

Warning: Any person who does any unauthorised act in relation to a copyright work may be liable to criminal prosecution and civil claims for damages.

## VALOR FIRES

Valor Fires, Erdington, Birmingham B24 9QP  
[www.firesandstoves.co.uk](http://www.firesandstoves.co.uk)

Because our policy is one of constant development and improvement, details may vary slightly from those given in this publication

# INSTALLATION GUIDE

## SAFETY

- When drilling into brick work always wear safety goggles, a dust mask, and always work in a well ventilated area.
- Keep children clear of work area.
- Always read the installer and owner guide supplied with the fire / heater. This guide should be read in conjunction with those supplied with the fire / heater.
- Always tidy loose electrical leads in the work area.
- Always switch off electric power when not needed.
- The surround must always be fixed into position.

## HANDLING AND UNPACKING

Before continuing any further with the installation of this surround please read the following:

### Important instructions.

- The approximate lifting weights of the surround components are as below:

Side leg (Each)	6.5kg
Fascia	4.5kg
Surround top	3.5kg

- This surround is heavy. We therefore recommend that two people should be sufficient to lift it. If fitting or moving the surround alone we recommend the use of suitable lifting apparatus.
- When lifting always keep your back straight. Bend your legs and not your back.
- Avoid twisting at the waist. It is better to reposition your feet.
- Avoid upper body / top heavy bending. Always bend from the knees rather than the waist. Do not lean forward or sideways whilst handling.
- Always grip with the palm of the hand. Do not use the tips of fingers for support.
- Always keep the surround as close to the body as possible. This will minimise the cantilever action.
- Use gloves to provide additional grip.
- Always use assistance if required.

# INSTALLATION GUIDE

## CONTENTS

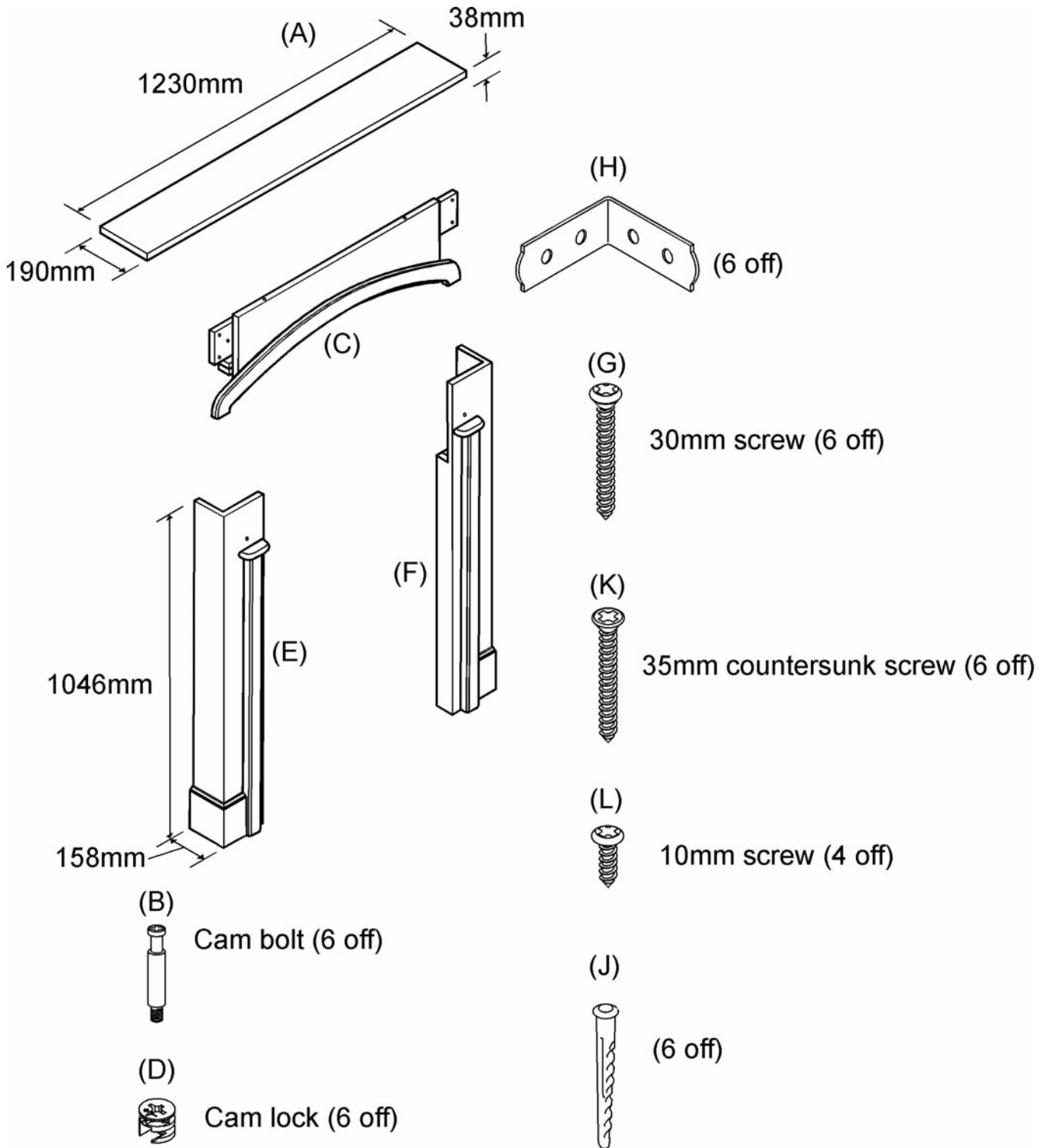


Figure 1. Contents - (Items are not to scale. Any components extra to those above can be discarded).

# INSTALLATION GUIDE

## FITTING THE SURROUND

The installation of this surround requires a reasonable level of DIY skills. Please read this guide thoroughly before commencing installation and if in doubt, seek help from a competent person.

### Do I need any tools?

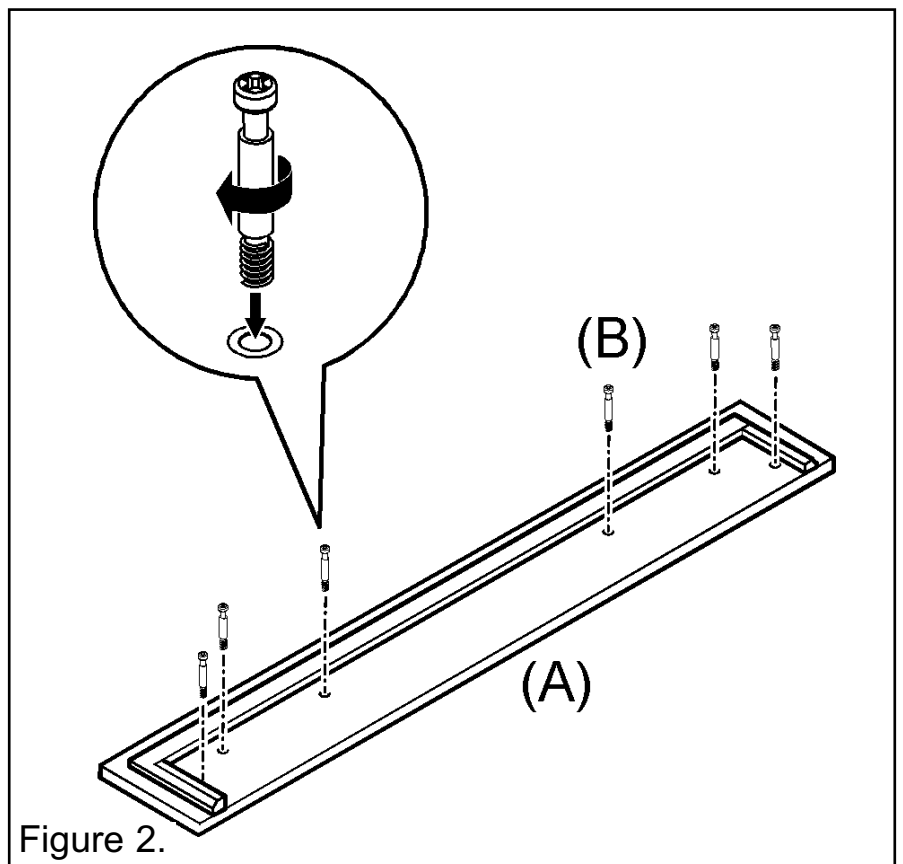
You will need the following tools:

- A Pozidrive / Phillips / cross head screwdriver. This should have a number 2 size tip.
- If drilling into brick work you will need a power drill (preferably with hammer action) and appropriate size drill bit for the wall plugs supplied.

### How to assemble the Surround.

#### Step 1. Assembling the surround top.

- Lay the surround top (A) face down on a clean, flat, non-marking surface as in figure 2.
- Locate and screw the six cambolts (B) into the surround top (A) (See figure 2).



# INSTALLATION GUIDE

## Step 2. Assembling the fascia to the surround top.

- Locate the fascia (C) onto the cam bolts in surround top (A) as in figure 3.
- Secure in place using two cam locks (D) as in figure 3.

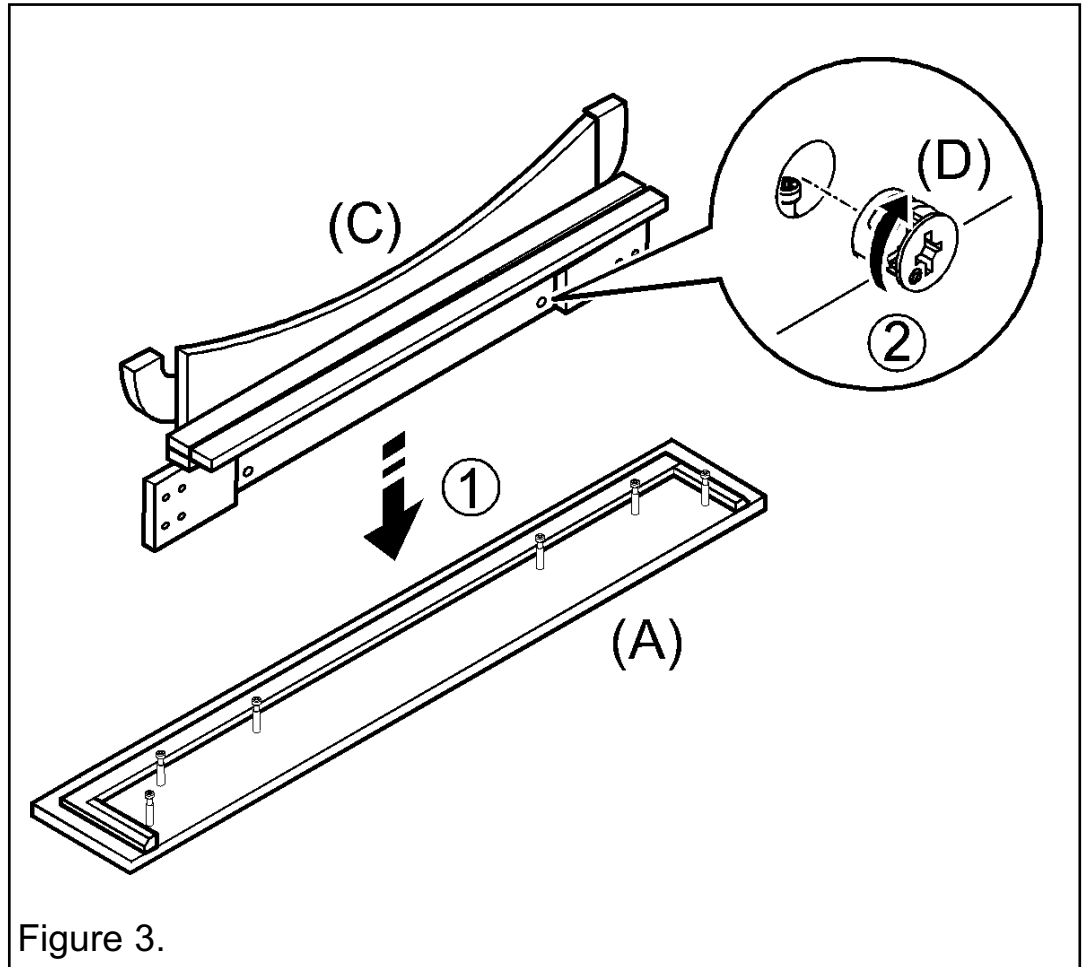


Figure 3.

# INSTALLATION GUIDE

## Step 3. Assembling the surround legs to the surround top.

- Locate the left leg (E) and right leg (F) onto the cam bolts in surround top (A) as in figure 4.
- Secure in place using four cam locks (D) as in figure 4.

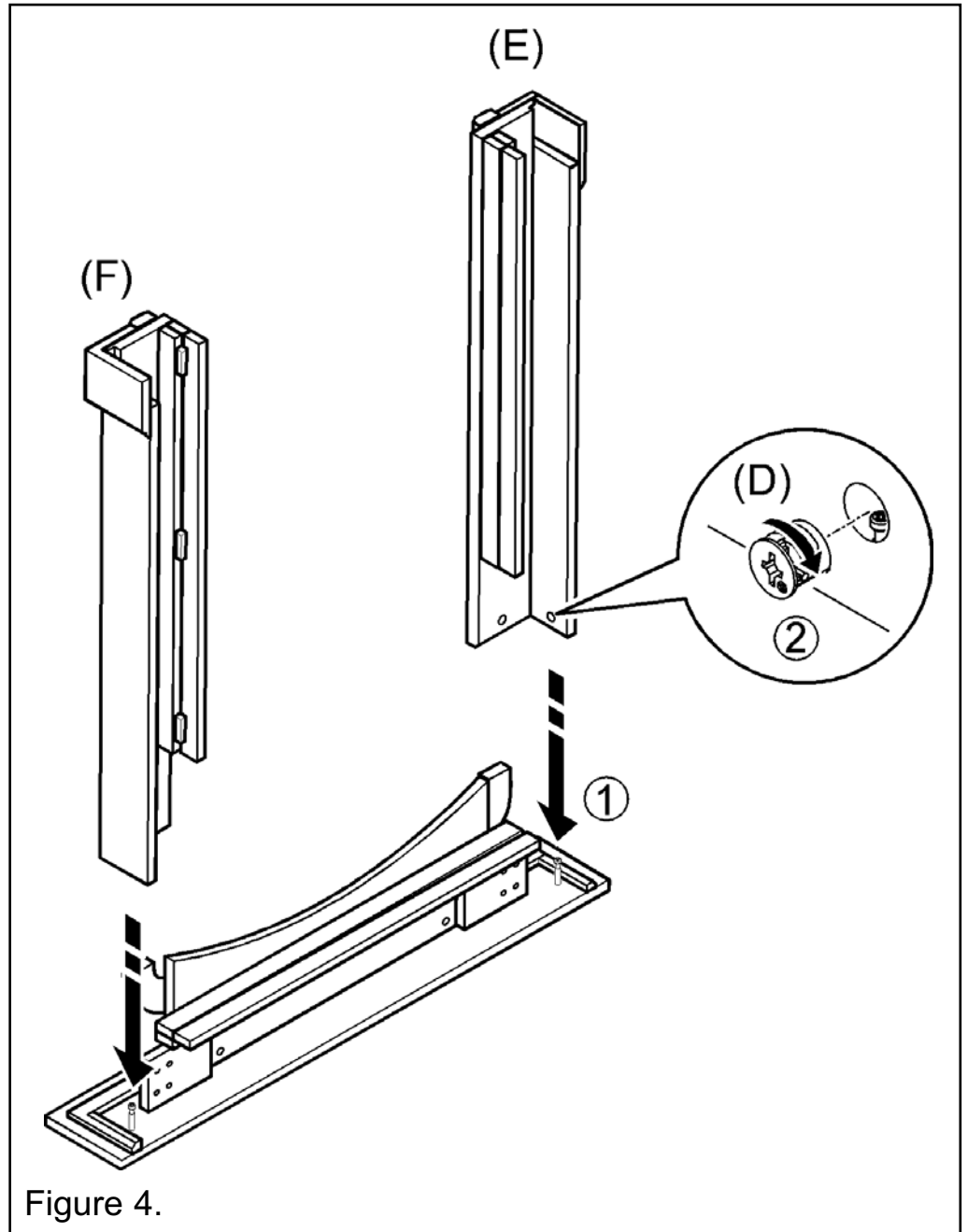


Figure 4.

# INSTALLATION GUIDE

## Step 4. Securing the fascia to the surround legs.

- Secure the fascia to the surround legs using six screws (G) as in figure 5.

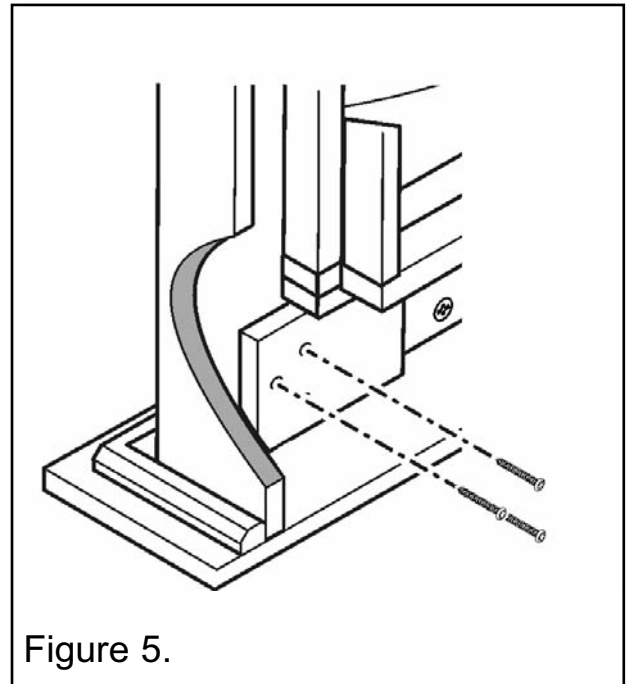


Figure 5.

## Step 5. Removing and preparing the infill strips (Gas rails) for installations with rebated electric heaters.

For installations with gas fires proceed to step 7.

- The surround is supplied for use with gas fire installations. For rebated electric heater installations the infill strips (Gas rails) will need to be removed. To do this simply unscrew and remove the screws from the gas rails. The gas rails are highlighted in figure 6.
- The surround is supplied with six brackets (H), four of which are for securing the two longer infill strips to the wall behind the back panel. This should aid with the installation of electric heaters. Secure the brackets to the strips as in figure 7 using the screws used previously to secure the strips to the surround. These screws are longer than required and will pass through the gas rails.
- Measure the thickness of the back panel. 75mm minus this figure gives the required distance from the top face of the strips to the wall (See figure 7).

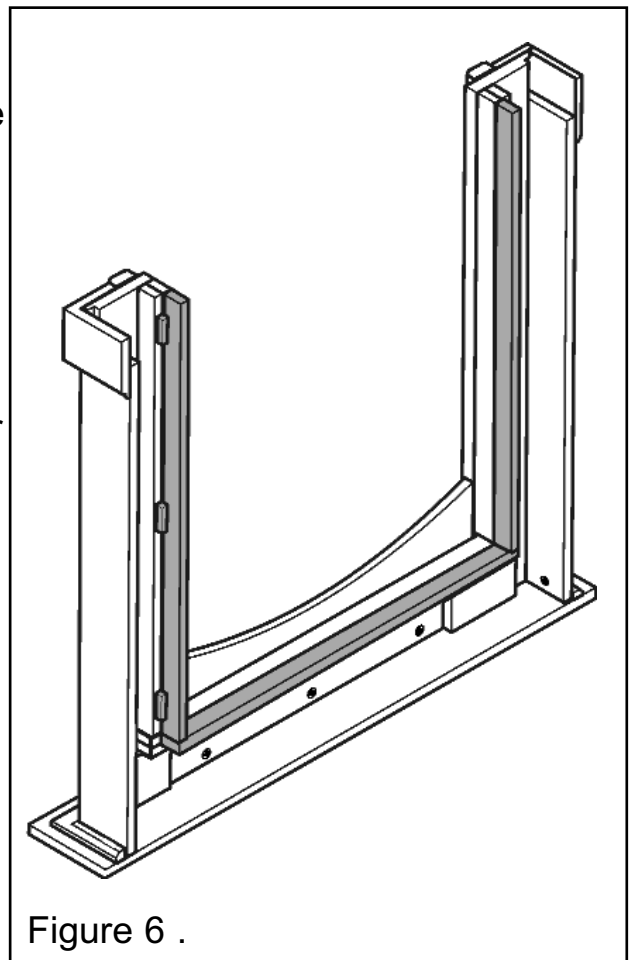


Figure 6 .



# INSTALLATION GUIDE

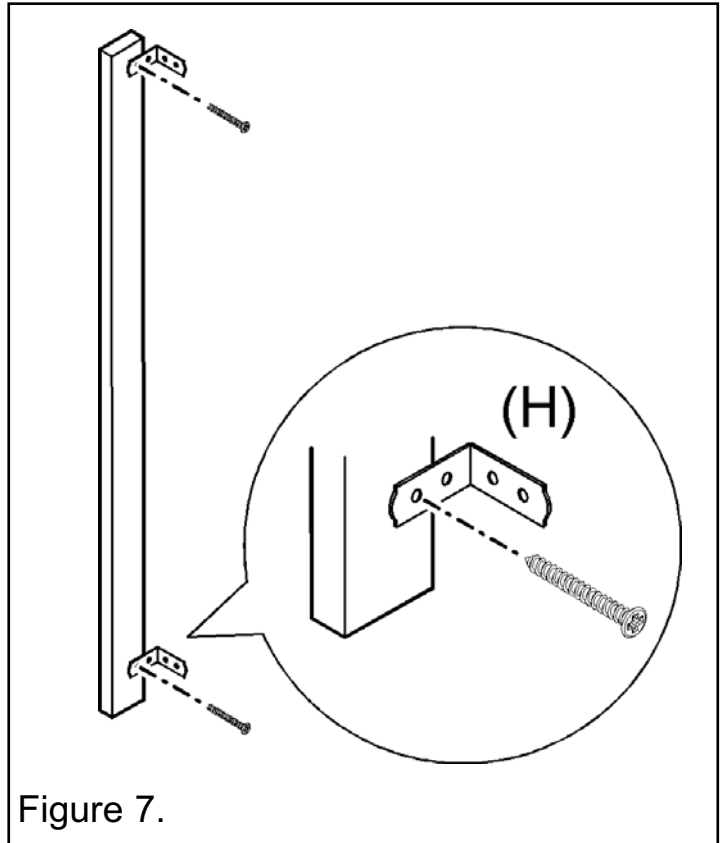


Figure 7.

## Step 6. Fitting the infill strips to the wall.

- Measure and mark the back panel opening position onto the wall then place the back panel aside. We recommend that the strips are fitted to the wall approximately 50mm clear of the back panel opening (See figure 8). Mark the central positions of the fixing points on the wall. Drill suitable sized holes at the fixing points for the wall plugs supplied. Insert four wall plugs (J). Locate and secure the strips to the wall using four (K) screws.

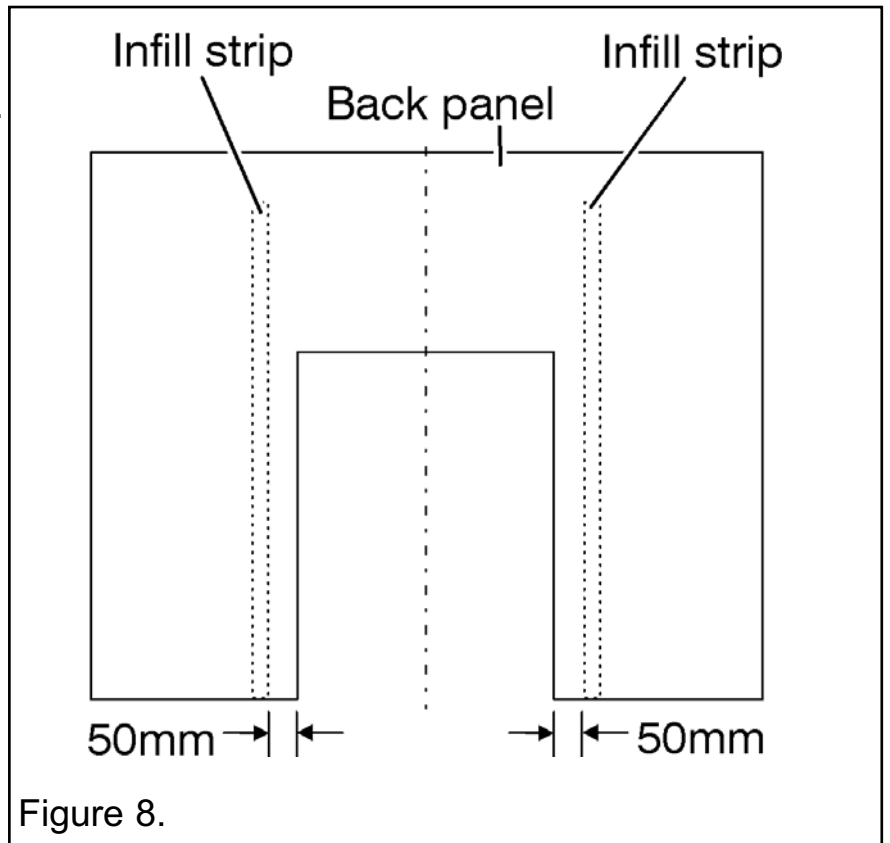
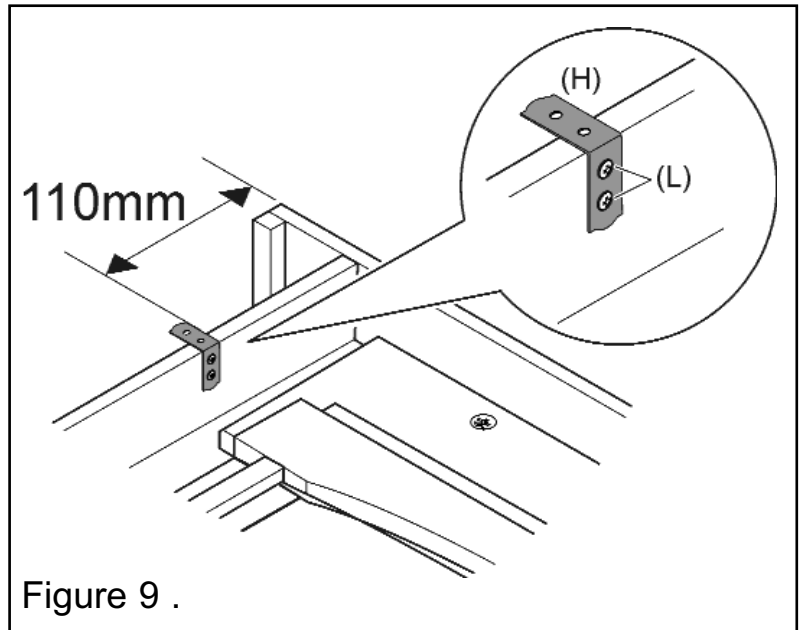


Figure 8.

# INSTALLATION GUIDE

## Step 7. Securing the surround.

- Place the wall fixing brackets (K) 110mm from the top of the surround as shown in figure 9. Secure in place using six (L) screws.



## Step 8. Fitting the fire / heater.

For full fitting instructions see the installer and owner guide supplied with the fire / heater. Please note that where applicable we do not recommend screw fitting the fire / heater to the Valor solo-pro / marble back panel and hearth, but recommend the cable retention method instead.

## Caring for your Surround.

- DO wipe any spills off immediately to limit possibility of staining.
- DO clean regularly with a soft cloth.
- DO NOT use abrasive cleaners.
- DO NOT allow prolonged exposure to water.

If you require further assistance, the Valor Fires Technical Helpline will be pleased to help.

Please telephone 0844 8711 565 (local rates apply in the United Kingdom). In the Republic of Ireland please telephone 0044 844 8711 565.



VALOR FIRES